

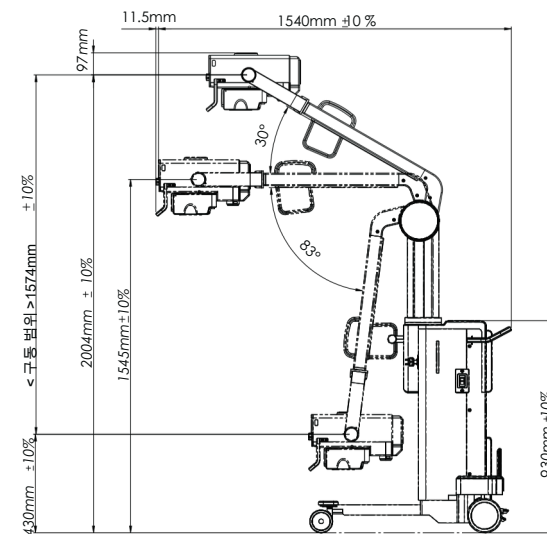
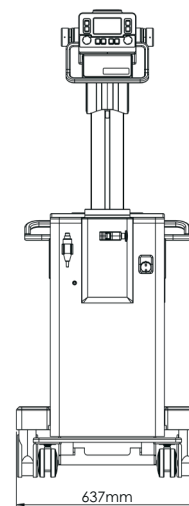


SIDE



BACK

Size



Specification

Type	Type	5kW Mobile Radiography	RAD	kV	40kV ~ 110kV (1 kV Step)(±8 %)
	Max Power	5kW		mAs	0.32 mAs~200 mAs (±10 %)
Input Power	Battery		Collimator	*Auto Collimator	
	2V / 2Ah*26ea			*4.3" Touch screen OP	
X-Ray Tube	50/60Hz, 16A Monoblock		Battery	*Ultrasound SID Sensor	
	Type	Monoblock		*kV, mAs, APR control	
	Focus	Focus 0.5, 1.8 mm	12V / 2Ah*26ea		
			Individual cell charging		

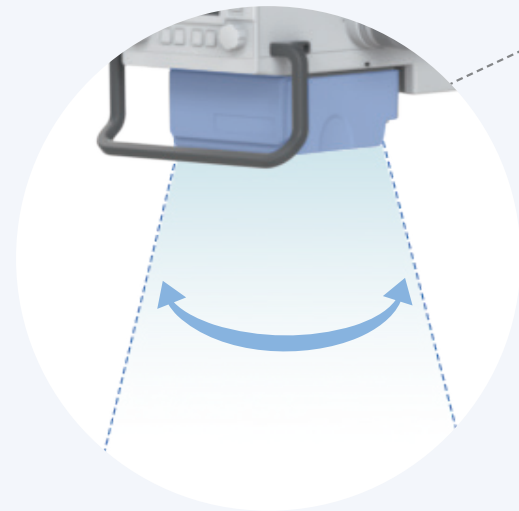


SMX-50

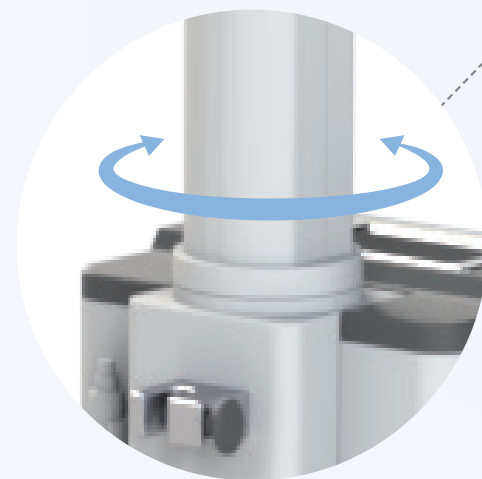
5kW
Battery TYPE



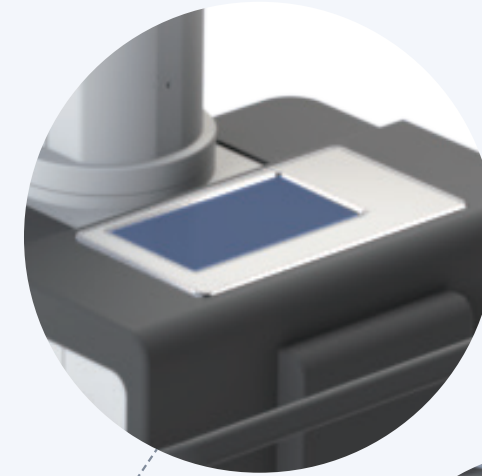
5kW Monoblock Type
4.3" Touch Screen OP



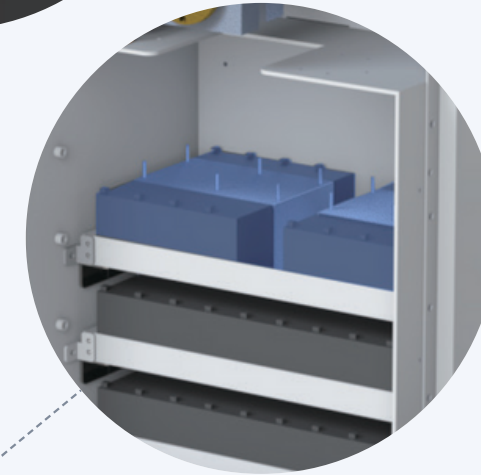
Collimator
X-ray Field size Max 46x46 cm
Lamp(LED) More than 100 lux



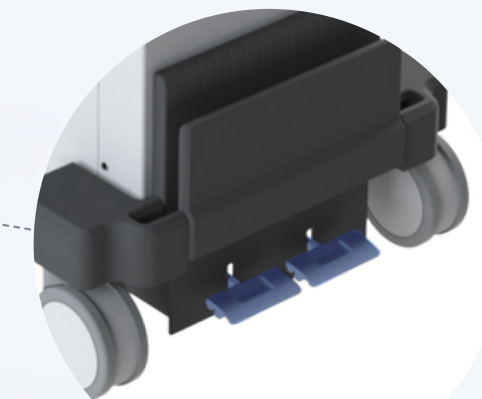
Wider Coverage Angle
± 90°



7" Touch LCD Operation Panel



Battery
12V / 2Ah*26ea Maximum Operating Hours = 12hours



Parking Brake
Manual Pedal Type

